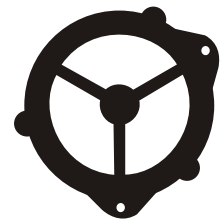
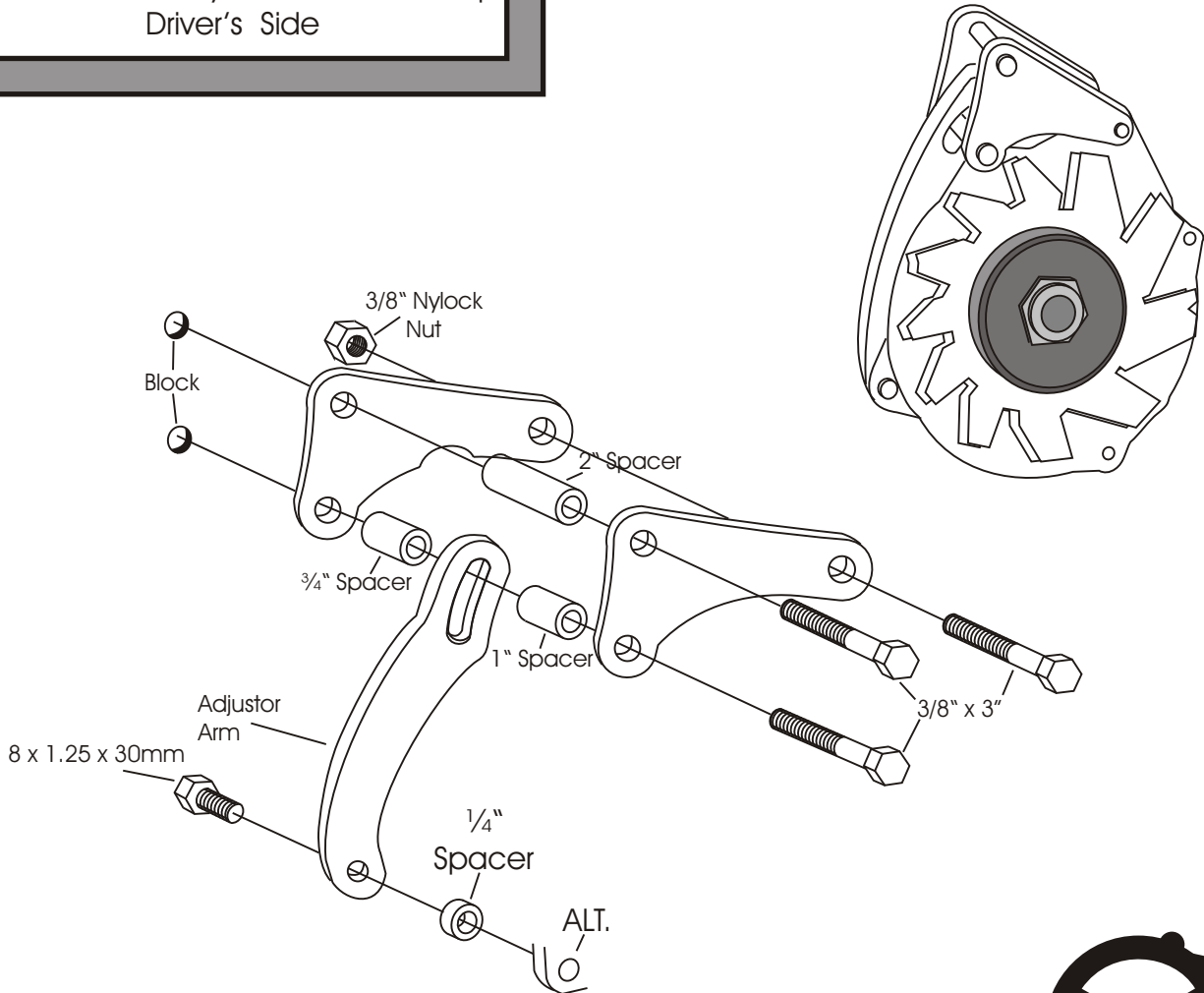


LOWER ALTERNATOR MOUNT 209L

Small Block Chevy - Short Water Pump
Driver's Side



This bracket is designed to be used with the small CS 130 G.M. Alternators with the threaded mounting ear in the 2 o' clock position.

(We use a belt length of 42 to 42½" with this mount on installations in our shop. However; this can vary with the diameter of your pulleys.)

As with any part of this nature, make sure it fits your application before painting or plating. Parts that have been painted, plated, or modified may not be returned.

**LOWER
ALTERNATOR
MOUNT
209L**

Small Block Chevy - Short Water Pump
Driver's Side

**ALAN GROVE COMPONENTS, INC.
27070 METCALF ROAD
LOUISBURG, KS 66053**