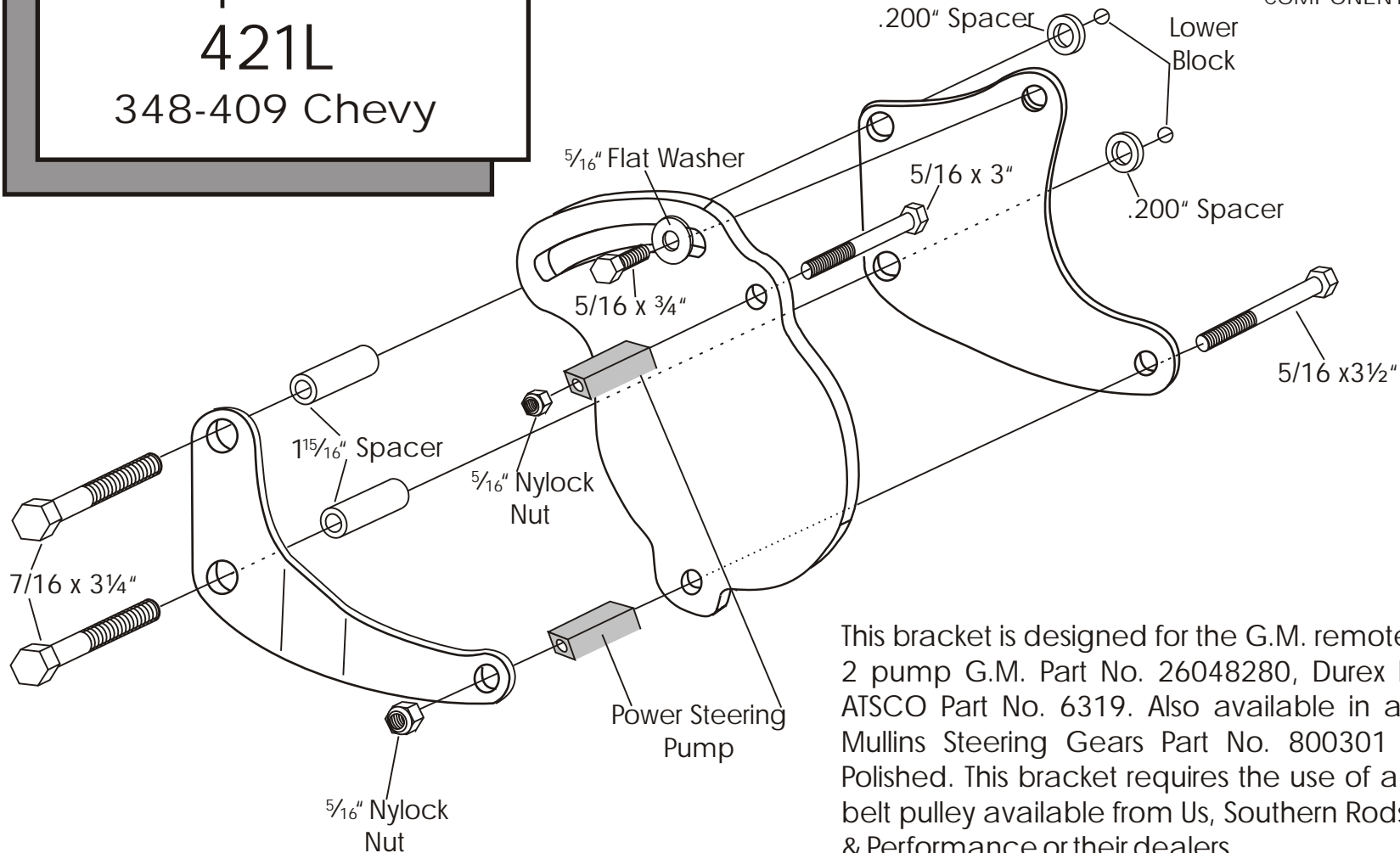


# Power Steering Pump Mount 421L 348-409 Chevy

We use a belt length of 36 - 36½" with this mount on installations in our shop. However; this can vary with the diameter of your pulleys.



This bracket is designed for the G.M. remote reservoir type 2 pump G.M. Part No. 26048280, Durex Part No. 6319, ATSCO Part No. 6319. Also available in aluminum from Mullins Steering Gears Part No. 800301 Plain, 800302 Polished. This bracket requires the use of an aluminum V-belt pulley available from Us, Southern Rods & Parts, Street & Performance or their dealers.

Note: If your pump has threaded mounting holes it will be necessary to drill them to 5/16."

As with any part of this nature, make sure it fits your application before painting or plating. Parts that have been painted, plated, or modified may not be returned.

Power Steering  
Pump Mount  
421  
348-409 Chevy

ALAN GROVE COMPONENTS, INC.  
27070 METCALF ROAD  
LOUISBURG, KS 66053