

A.C. Compressor and Alternator Mount

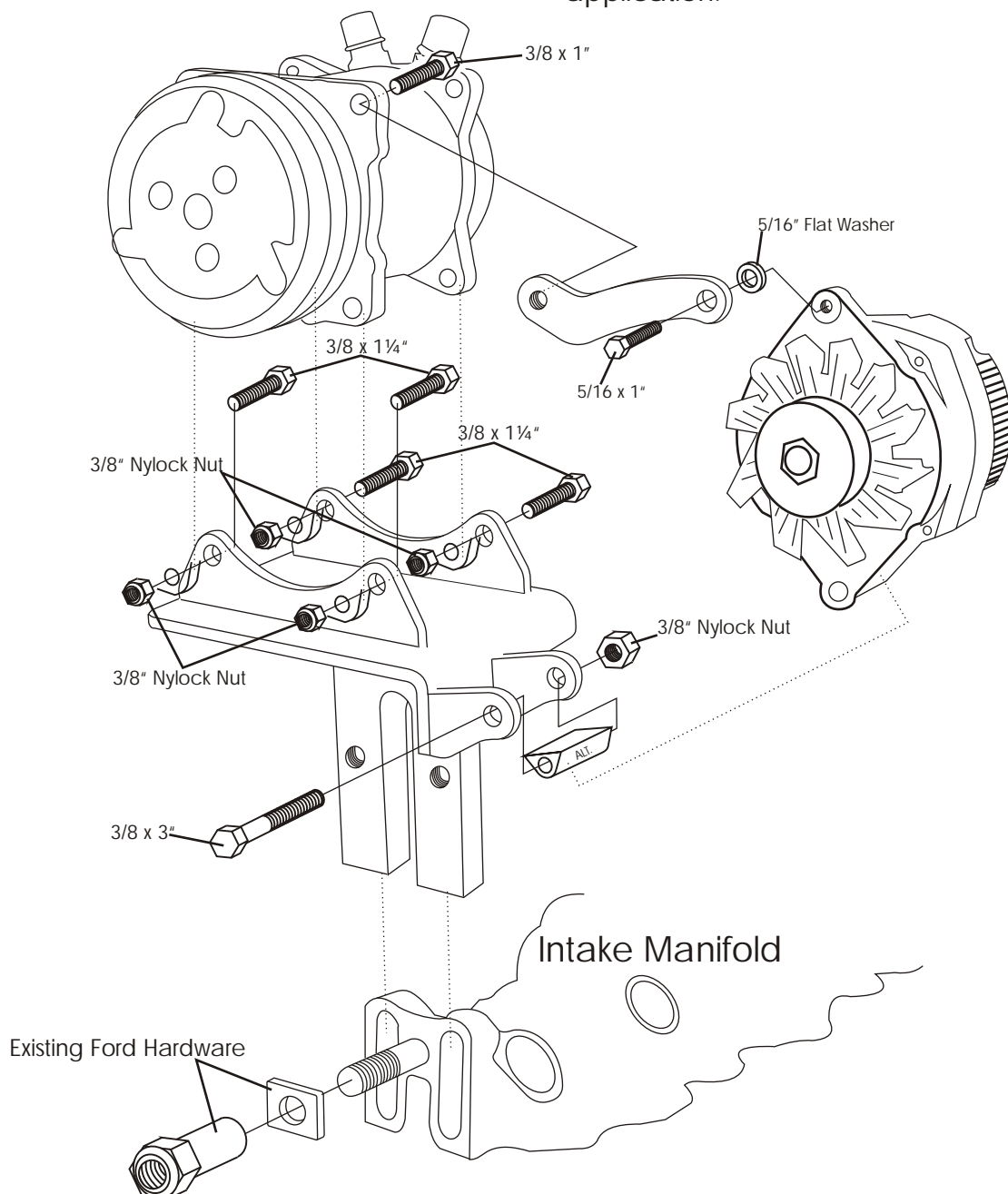
Part # 314 Flathead Ford/Mercury Late Narrow Belt

1950 - 53 Car



NOTE: Off-set water necks will be required for upper radiator hose clearance of bracket system. These parts are available from Offenhauser or their dealers.

We use a belt length of $59 \frac{5}{8}$ " in our shop for the alternator and A.C. Compressor belt (NAPA part# 7590), and a fan belt length of $42 \frac{1}{8}$ " (NAPA part# 7417). These lengths may vary depending on your pulley diameters and application.



A.C. Compressor
and Alternator
Mount

Part # 314

Flathead Ford/Mercury

Late Narrow Belt

1950 - 53 Car

ALAN GROVE COMPONENTS, INC.

27070 METCALF ROAD

LOUISBURG, KS 66053