

A.C. Compressor and Alternator Mount

Part # 313 Flathead Ford/Mercury Late Wide Belt

1949 Car and 1948- 53 Truck

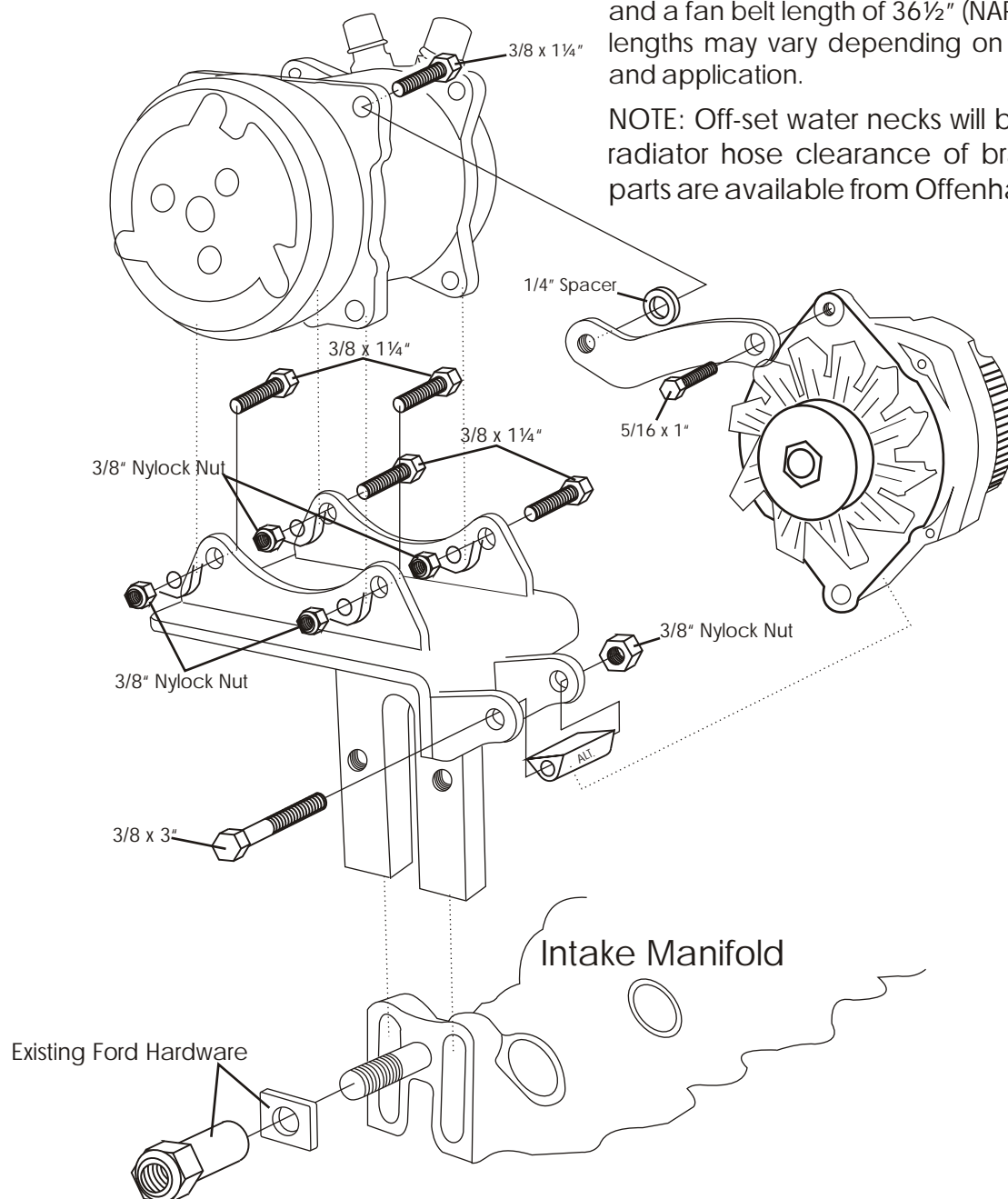


COMPRESSOR NOTE: This application will require the use of a 3/4" wide single groove clutch assembly for the Sanden Type A.C. Compressors. These Compressors and/or clutch assemblies are available from your favorite aftermarket air dealer.

ALTERNATOR NOTE: This application will require the use of a wide GM alternator pulley to accommodate the 5/8" width drive belt. This pulley is available from Speedway Motors or other street rod vendors.

BELTS: We use a belt length of 61 1/4" in our shop for the alternator and A.C. Compressor belt (NAPA part# 22607), and a fan belt length of 36 1/2" (NAPA part# 22358). These lengths may vary depending on your pulley diameters and application.

NOTE: Off-set water necks will be required for upper radiator hose clearance of bracket system. These parts are available from Offenhauser or their dealers.



A.C. Compressor
and Alternator
Mount

Part # 313

Flathead Ford/Mercury
Late Wide Belt

1949 Car and 1948-53 Truck

ALAN GROVE COMPONENTS, INC.

27070 METCALF ROAD

LOUISBURG, KS 66053