

# A.C. Compressor and Alternator Mount

## Part # 312 Flathead Ford/Mercury Early Wide Belt

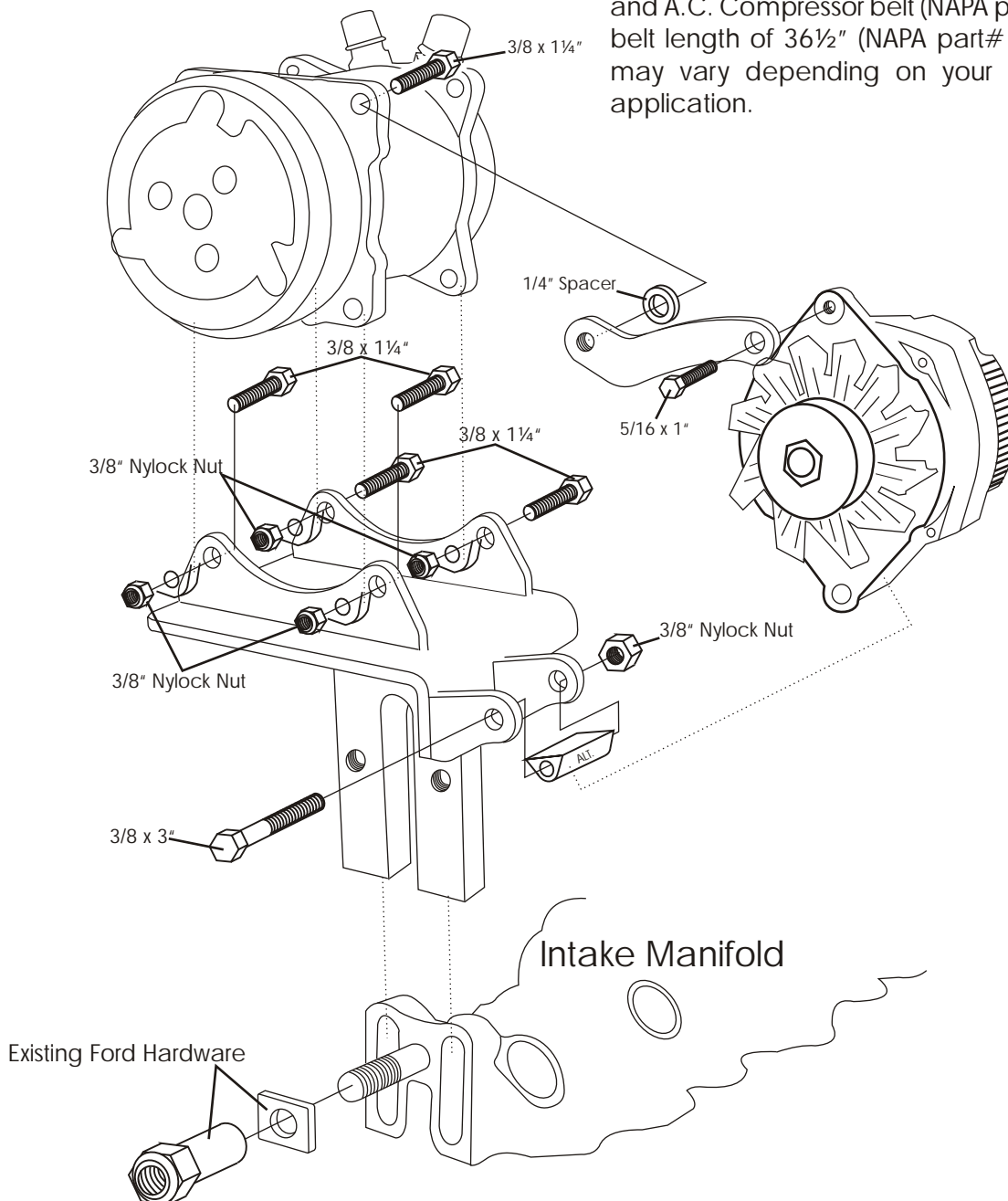
1937-48 Car and 1937- 47 Truck



**COMPRESSOR NOTE:** This application will require the use of a  $\frac{3}{4}$ " wide single groove clutch assembly for the Sanden Type A.C. Compressors. These Compressors and/or clutch assemblies are available from your favorite aftermarket air dealer.

**ALTERNATOR NOTE:** This application will require the use of a wide GM alternator pulley to accommodate the  $\frac{5}{8}$ " width drive belt. This pulley is available from Speedway Motors or other street rod vendors.

We use a belt length of  $61\frac{1}{4}$ " in our shop for the alternator and A.C. Compressor belt (NAPA part# 22607), and a fan belt length of  $36\frac{1}{2}$ " (NAPA part# 22358). These lengths may vary depending on your pulley diameters and application.



A.C. Compressor  
and Alternator  
Mount

Part # 312

Flathead Ford/Mercury

Early Wide Belt

1937-48 Car and 1937-47 Truck

ALAN GROVE COMPONENTS, INC.

27070 METCALF ROAD

LOUISBURG, KS 66053