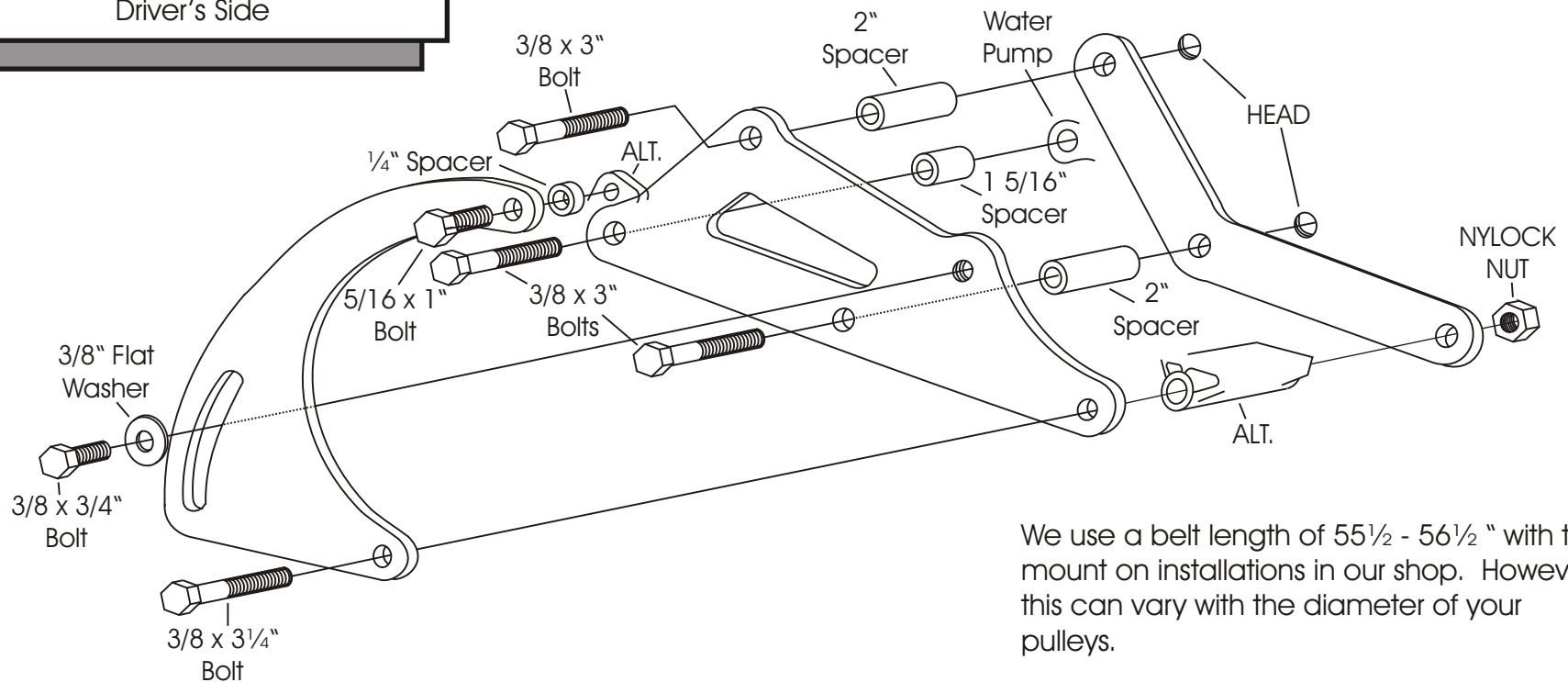


# ALTERNATOR MOUNT 232L

Small Block Chevy - Short Water Pump  
Driver's Side



We use a belt length of 55½ - 56½ " with this mount on installations in our shop. However; this can vary with the diameter of your pulleys.

As with any mount system, assemble all of the brackets to engine BEFORE TIGHTENING THE BOLTS.

**As with any part of this nature, make sure it fits your application before painting or plating. Parts that have been painted, plated, or modified may not be returned.**

ALTERNATOR  
MOUNT

232L

Small Block Chevy - Short Water Pump  
Driver's Side

**ALAN GROVE COMPONENTS, INC.**  
**27070 METCALF ROAD**  
**LOUISBURG, KS 66053**