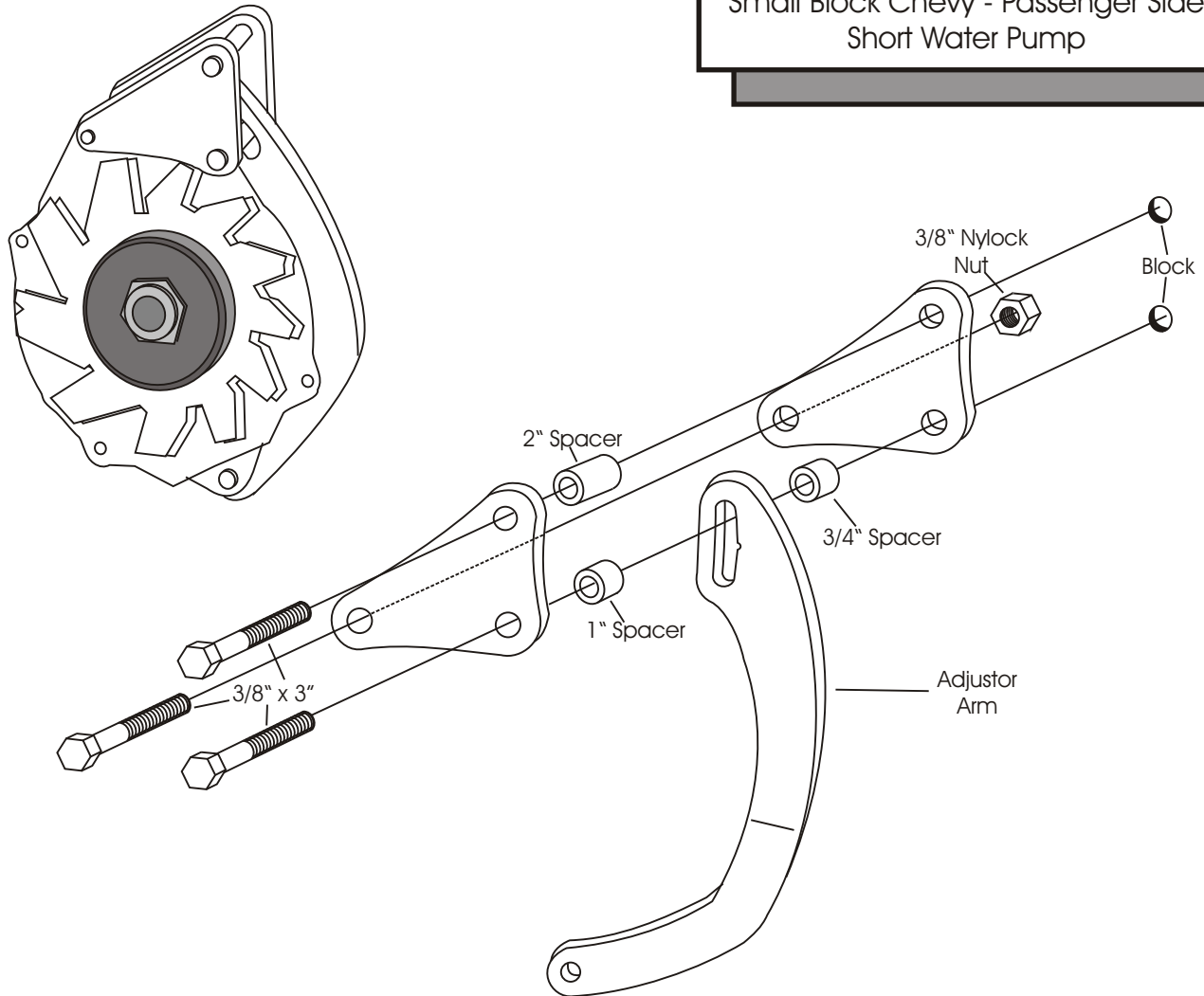




LOWER ALTERNATOR MOUNT 211R

Small Block Chevy - Passenger Side
Short Water Pump



(We use a belt length of 42 to 43" with this mount on installations in our shop. However; this can vary with the diameter of your pulleys.)

As with any part of this nature, make sure it fits your application before painting or plating. Parts that have been painted, plated, or modified may not be returned.

**LOWER
ALTERNATOR
MOUNT
211R**
Small Block Chevy - Passenger Side
Short Water Pump

**ALAN GROVE COMPONENTS, INC.
27070 METCALF ROAD
LOUISBURG, KS 66053**