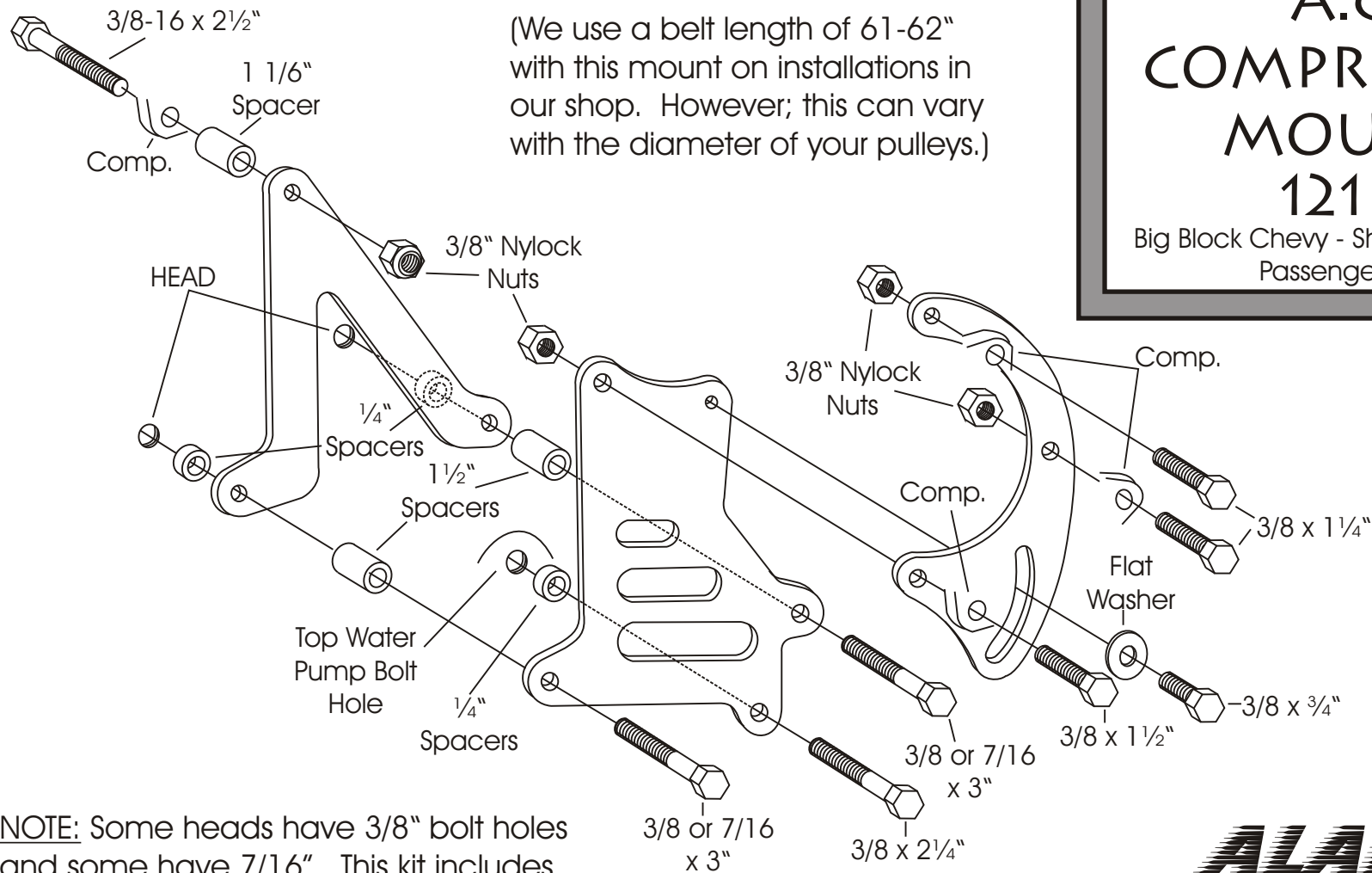


A.C. COMPRESSOR MOUNT 121R

Big Block Chevy - Short Water Pump
Passenger Side



(We use a belt length of 61-62" with this mount on installations in our shop. However; this can vary with the diameter of your pulleys.)

NOTE: Some heads have 3/8" bolt holes and some have 7/16". This kit includes both sizes of bolts for these holes.

If your head has 7/16" it will be necessary to enlarge the corresponding holes in the mount to 7/16".

When installing the mount, start all bolts and mount the compressor before tightening.

As with any part of this nature, make sure it fits your application before painting or plating. Parts that have been painted, plated, or modified may not be returned.



A.C.
COMPRESSOR
MOUNT
121R

Big Block Chevy - Short Water Pump
Passenger Side

ALAN GROVE COMPONENTS, INC.
27070 METCALF ROAD
LOUISBURG, KS 66053